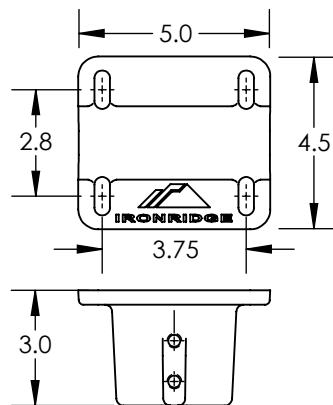


Item Number	Component	Qty in Kit
1	CAP, FLAT CSTG, ALUM	1
2	SET SCREW, CONE POINT, 3/8-16 X 3/4 LONG	2
3	UBOLT, CUSTOM SGA PIPE	2
4	WASHER, FLAT 3/8 GALV	4
5	WASHER, LOCK 3/8 GALV	4
6	NUT, HEX 3/8-16 GALV	4

Part Number	Description
70-0200-SGA	SGA Top Cap at 2", Mill
70-0300-SGA	SGA Top Cap at 3", Mill

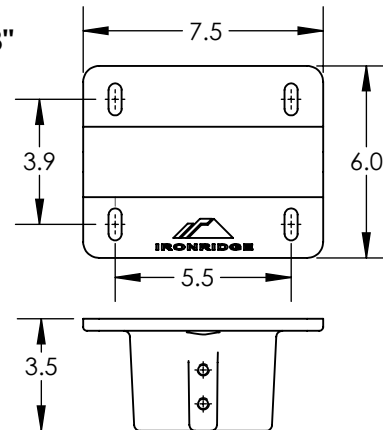
1) Cap, Flat CSTG, Alum

SGA 2"



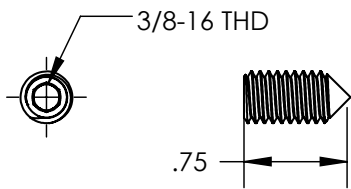
Property	Value
Material	ALMAG 535
Finish	Clear

SGA 3"



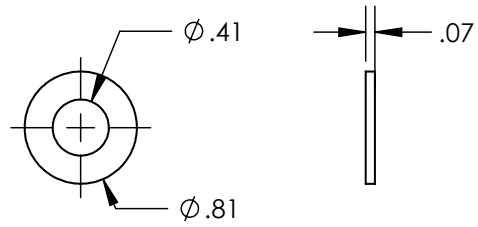
Property	Value
Material	ALMAG 535
Finish	Clear

2) Set Screw, Cone Point



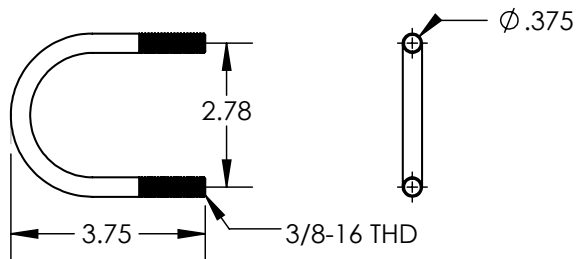
Property	Value
Material	Steel
Finish	Zinc Plated

4) Washer, Flat 3/8 Galv



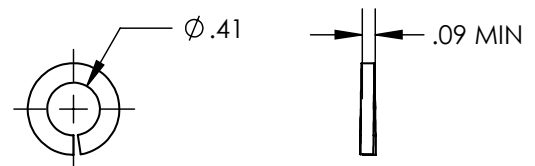
Property	Value
Material	Steel
Finish	Hot-Dip Galvanized

3) U-bolt, Custom SGA Pipe  
**SGA 2"**



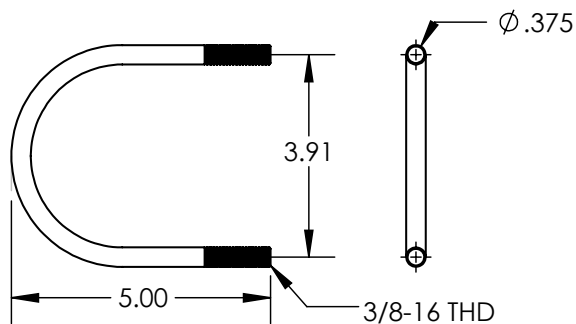
Property	Value
Material	Steel
Finish	Hot-Dip Galvanized

5) Washer, Lock 3/8 Galv



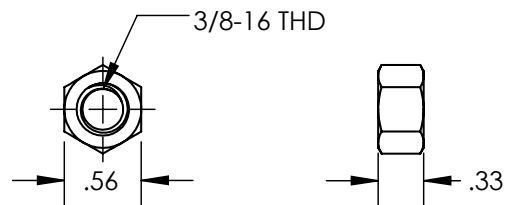
Property	Value
Material	Steel
Finish	Hot-Dip Galvanized

**SGA 3"**



Property	Value
Material	Steel
Finish	Hot-Dip Galvanized

6) Nut, Hex 3/8-16 Galv



Property	Value
Material	Steel
Finish	Hot-Dip Galvanized