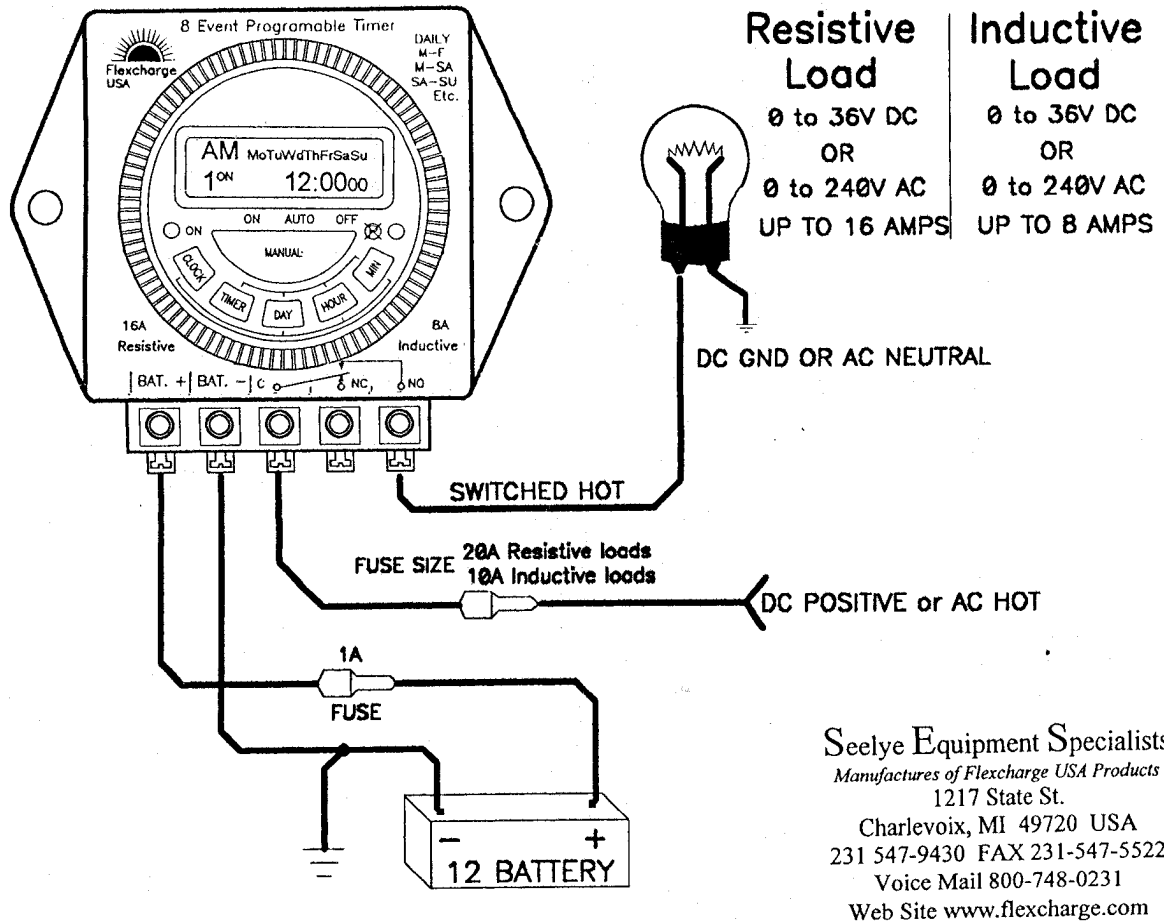
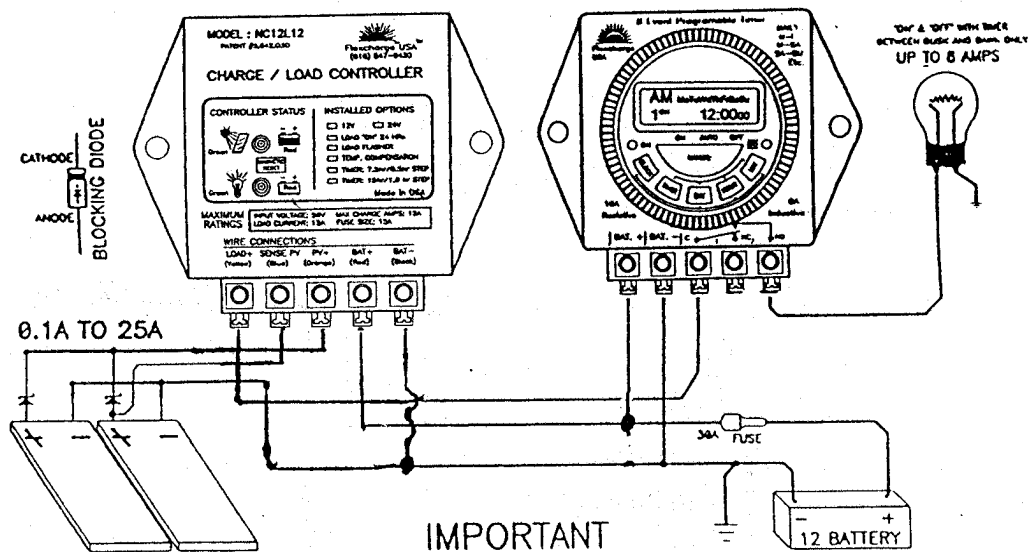


Flexcharge PROGRAMABLE TIMER



USING THE NC12L12 WITH THE Flexcharge PROGRAMABLE TIMER



PANEL ISOLATION DIODES ARE USUALLY INSTALLED BY THE SOLAR PANEL MANUFACTURER TO PREVENT FLOW OF ELECTRICITY FROM ILLUMINATED PANELS INTO SHADED PANELS. SIMPLY CONNECT THE CHARGE INDICATOR WIRE TO THE ANODE SIDE OF THE BLOCKING DIODE ON ANY ONE OF THE PANELS.